

# HANSA T10

PRECISION EQUIPMENT



## SPECIFICATIONS



**CAPACITY**  
9m<sup>3</sup>



**MAX SPREAD WIDTH**  
36m Urea / 58m SSP

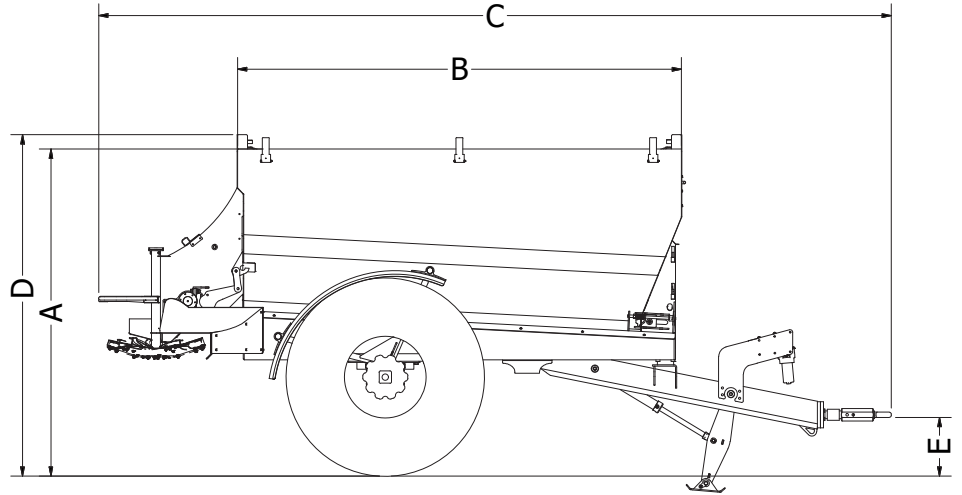
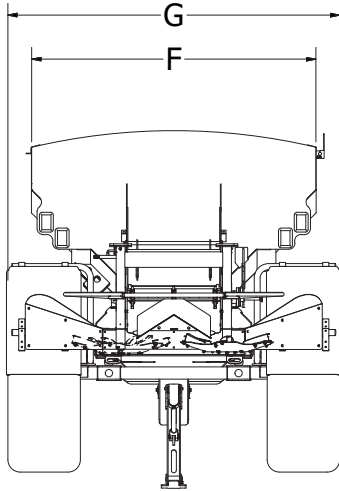


**MAX PAYLOAD**  
12000kg



# HANSA T10

PRECISION EQUIPMENT



## STANDARD FEATURES AND OPTIONS

<b>Tyres</b>	- 620/75-26 low compaction tyre - 650/65-30.5 flotation tyre - 620/75-26 R1 Tractor tyre *others available upon request	● ○ ○
<b>Tarp</b>	900 grade rollover with flipover centre pole	○
<b>Load Cells</b>	When selected with ISOBUS rate controller auto rate calibration is enabled.	○
<b>Brakes</b>	Hydraulic Air	○ ○
<b>Rate controller</b>	ISOBUS (auto rate cal when selected w/ scales option) HANSA 4" controller (rate control only, manual spinners) HANSA 7" screen (rate and spinner control) TOPCON TRIMBLE *others available upon request	○ ○ ○ ○ ○ ○
<b>Section control</b>	Twin conveyor for headland and section control (Available with most rate controllers)	□
<b>Suspended drawbar</b>	Rubber absorption pads Hydraulic accumulated	● -
<b>Hydraulic jack</b>		●
<b>Mudguards</b>	Plastic molded	○
<b>Axle</b>	Single 2100mm track BPW 10/335 Single 3000mm track BPW 10/335 Single 1950mm track BPW 10/335 Tandem 2250mm track BPW Parabolic 10/335 Tandem 2250mm track BPW parabolic rear steer 10/335 Tandem 3000mm track BPW Parabolic 10/335 Tandem 3000mm track BPW parabolic rear steer 10/335 *others available upon request	● ○ ○ ○ ○ ○ ○ ○

## TECHNICAL DATA

<b>Capacity (L/m<sup>3</sup>)</b>	9000/9
<b>Tare Weight</b>	3750kg
<b>Max Payload (Kg)</b>	12000 (Based on 620/75-26 low compaction tyre)
<b>Loading Height (A)</b>	2600mm
<b>Bin Length (B)</b>	3600mm
<b>Overall Length (C)</b>	6400mm
<b>Overall Height (D)</b>	2700mm
<b>Hitch Height (E)</b>	500mm
<b>Bin Width (F)</b>	2300mm
<b>Overall Width (G)</b>	2680mm (Based on 2100mm track and 620/75-26 tyre)
<b>Standard Wheel track</b>	2100mm
<b>Bin construction (material)</b>	Stainless steel
<b>Conveyor width</b>	750mm wide
<b>Spinner Configuration</b>	Twin hydraulic driven
<b>Spinner drive</b>	64cc Permco Gear motors
<b>Conveyor drive</b>	50mm driveshaft, hydraulic drive, 20:1 reduction box
<b>Filtering</b>	High pressure filtering on spinner and conveyor circuit
<b>Warranty</b>	12 months (1 year)
<b>Control</b>	PWM Full Hydraulic
<b>Hydraulic Configuration</b>	Switchable – closed centre load sensing to open centre fixed

● STANDARD

○ OPTION

- NOT APPLICABLE

□ OPTION (factory fitted)