

HANSA

PRECISION EQUIPMENT

L SERIES



SPECIFICATIONS



CAPACITY
2000-6000L

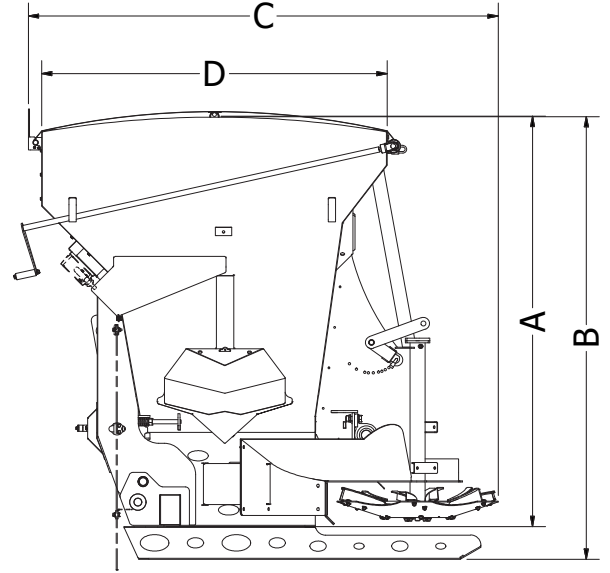
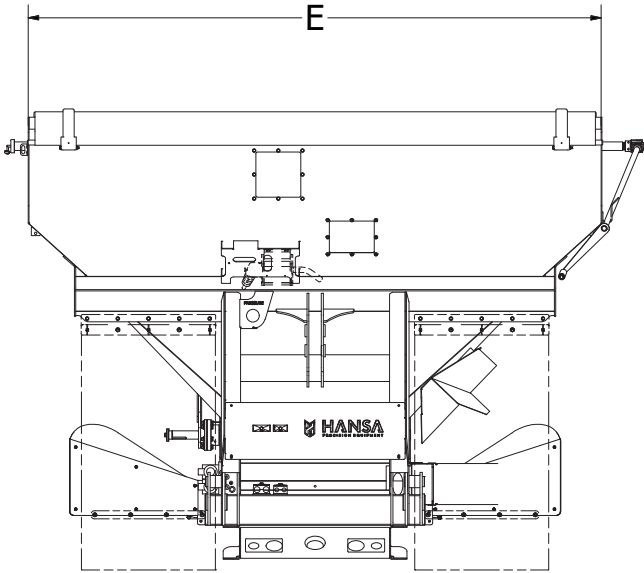


MAX SPREAD WIDTH
36m Urea / 58m SSP



MAX PAYLOAD
8000kg





STANDARD FEATURES AND OPTIONS

Tarp	900 grade rollover with flipover centre pole	<input type="radio"/>
Rate controller	ISOBUS (auto rate cal when selected w/ scales option)	<input type="radio"/>
	HANSA 4" controller (rate control only, manual spinners)	<input type="radio"/>
	HANSA 7" screen (rate and spinner control)	<input type="radio"/>
	TOPCON	<input type="radio"/>
	TRIMBLE	<input type="radio"/>
	*others available upon request	

Section control	Twin conveyor for headland and section control (Available with most rate controllers)	<input type="checkbox"/>
------------------------	---	--------------------------

Mudguards	Rubber - Quick detach	<input type="radio"/>
------------------	-----------------------	-----------------------

- STANDARD
- OPTION
- NOT APPLICABLE
- OPTION (factory fitted)

TECHNICAL DATA

Capacity (L)	L2 – 2000L/2
	L2.5 – 2500L/2.5
	L3 – 3000L/3
	L4 – 4000L/4
	L5 – 5000L/5
	L6 – 6000L/6
Max Payload (Kg)	8000
Loading Height (A) (Without base frame attached)	L2 – 1600mm
	L2.5 – 1750mm
	L3 – 1850mm
	L4 – 2000mm
	L5 – 2150mm
	L6 – 2300mm
Loading Height (B)	A + 150mm
Overall Length (C)	2300mm
Bin Length (D)	1700mm
Bin Width (E)	2800mm
Bin construction (material)	Stainless steel
Conveyor width	750mm wide
Spinner Configuration	Twin hydraulic driven
Spinner drive	64cc Permco Gear motors
Conveyor drive	50mm driveshaft, hydraulic drive, 10:1 reduction box
Warranty	12 months (1 year)
Control	PWM Full Hydraulic
Hydraulic Configuration	Switchable – closed centre load sensing to open centre fixed